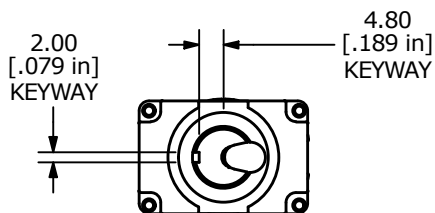
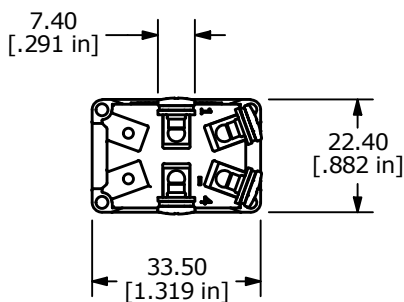
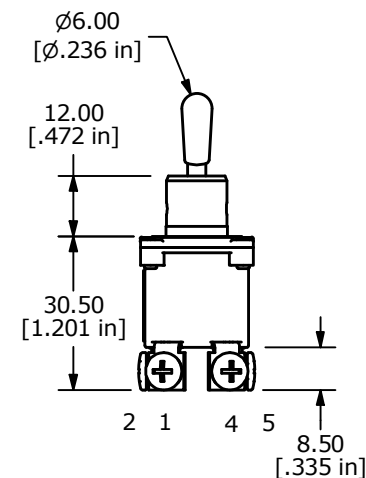
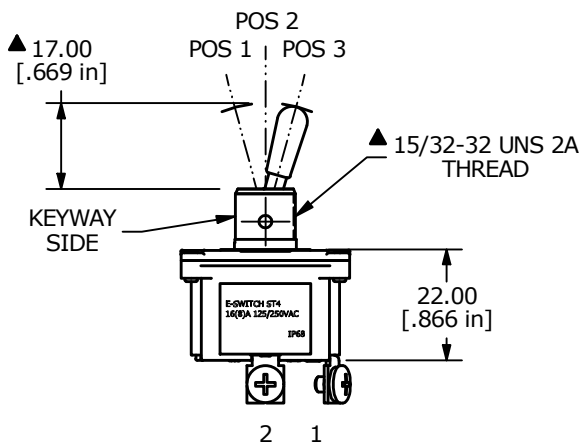


RECOMMENDED PANEL CUT-OUTS



SWITCH FUNCTION		
POS. 1	POS. 2	POS. 3
(ON)	N/A	OFF
1-2, 4-5	N/A	1-2, 4-5

(ON) = MOMENTARY



NOTES:

1. ALL DIMENSIONS IN MM [INCH]
2. GENERAL TOLERANCE: X.X=±0.4
X.XX=±0.25
3. TERM. NOS. FOR REF. ONLY
4. RATING: 16(8)A 125/250VAC uT55
5. ELECTRICAL LIFE: 6,000 CYCLES
6. CONTACT RESISTANCE: <20 MILLI-OHMS INITIAL
7. DIELECTRIC STRENGTH: >1,500V AC 1MIN
8. INSULATION RESISTANCE: >100MOHMS
9. OPERATING TEMP: -10°C to 65°C
10. INGRESS PROTECTION: IP68
11. ▲ DENOTES CRITICAL PARAMETER.
12. SUPPLIED HARDWARE: TOOTH WASHER AND TWO HEXNUTS.

REV	ECO NO	DESCRIPTION	DATE	BY
A	ECO-100125	NEW RELEASE	05/19/21	MR



OBJECT ID
100116646

TITLE ST4DP5AT1S2		SCALE 2:3	DATE 5/17/2021	DR MJR	DWG 14-ST4DP5AT1S2	REV A
----------------------	--	--------------	-------------------	-----------	-----------------------	----------